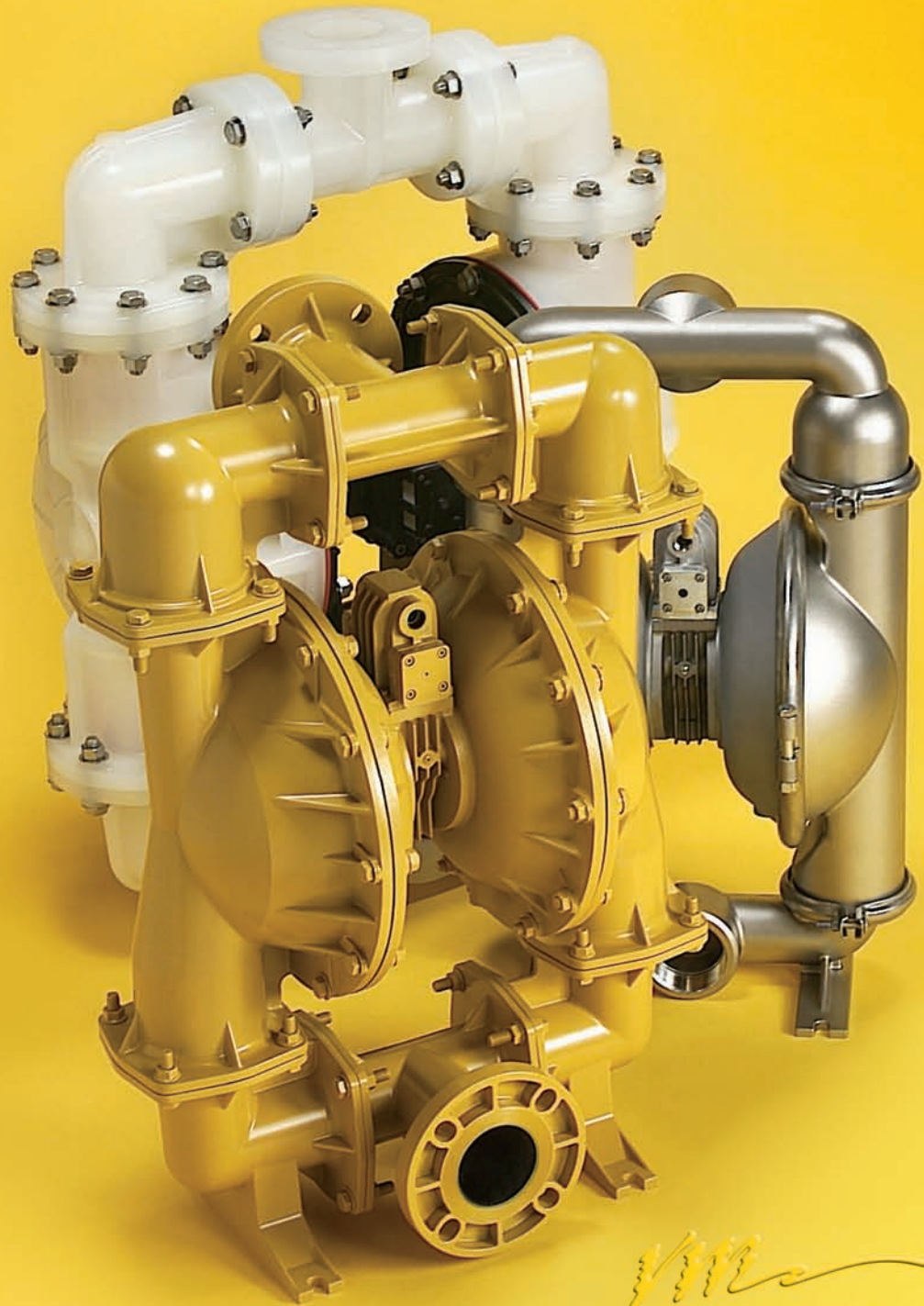


3" Elima-Matic Pumps

Air-Operated Double Diaphragm Pumps

E3

- Bulk Chemical Transfer
- Resins Transfer
- Wastewater Treatment
- Food Processing
- Filter Press Applications
- Tanker Car Unloading



E3

3" Elima-Matic Pumps

When you need to pump large volumes, we've got the solution.

When you need to pump large volumes, we've got the solution.

Sometimes you need a pump that can handle more, whether your application is transferring bulk chemicals or consumer beverages.

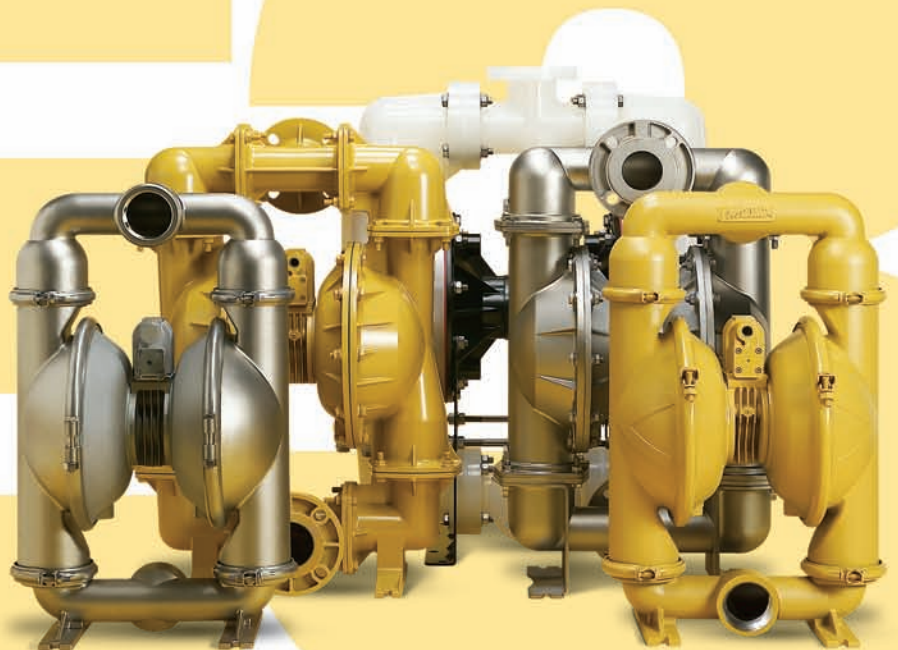
That's why Versa-Matic offers a complete line of three-inch pumps that can get the job done safely and quickly.

These AODD pumps provide you more options to match your application needs, while delivering an unsurpassed level of reliability. Each pump features an innovative air-valve system that eliminates stalling, icing and the need to lubricate, so you achieve reduced downtime and continued pump performance.

E3 Specifications

	Flow Rate	Maximum Particle Size	Air Inlet	Air Exhaust	Materials of Construction
E3 Clamped Metallic	0-230 gpm	.375" diameter	0.50" NPT	1.0" NPT	A, C, S, H
E3 Bolted Metallic	0-230 gpm	.75" diameter	0.50" NPT	1.0" NPT	A, H, S
E3 Bolted Plastic	0-238 gpm	.71" diameter	0.75" NPT	1.0" NPT	P, K

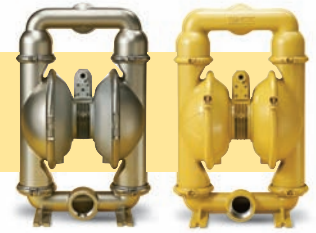
A = Aluminum C = Cast Iron H = Hastelloy C K = PVDF Kynar P = Polypropylene S = Stainless Steel



E3

3" Clamped Metallic Pump

Available in Food Grade Stainless Steel

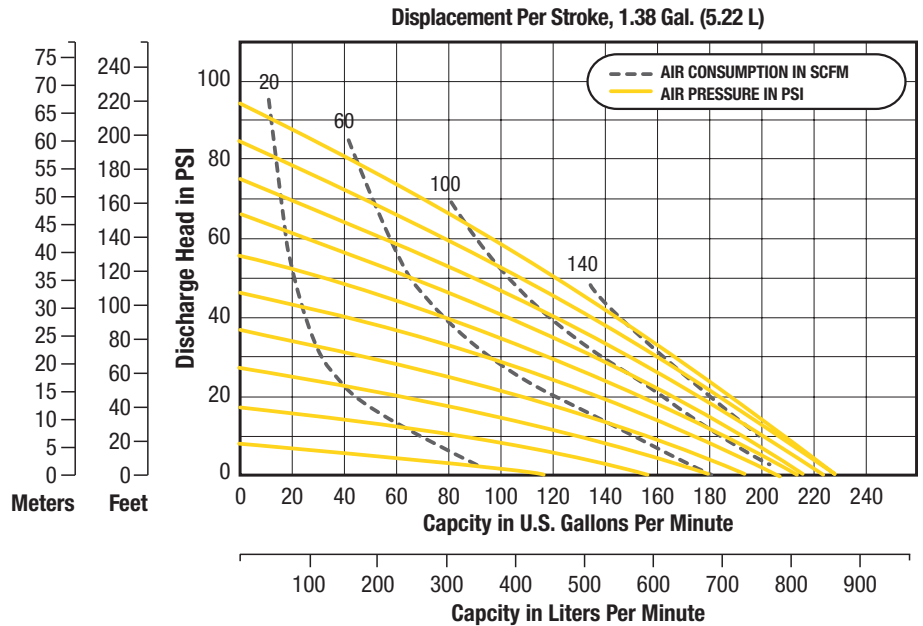


Specifications

	English	Metric
Flow Rate		
adjustable to	0-230 gpm	0-871 lpm
Port Size		
Inlet and Outlet	3.0" NPT	BSP
Air Inlet	0.5" NPTF	
Air Exhaust	1.0" NPTF	
Suction Lift*		
Dry (Teflon®)	20' (10')	6.10 m (3.05 m)
Wet (Teflon®)	25' (20')	7.62 m (6.10 m)
Max. Particle Size		
Diameter	0.375"	9.52 mm
Shipping Weight		
Aluminum	115 lbs	52.16 kg
Cast Iron	210 lbs	95.25 kg
Hastelloy C	220 lbs	99.79 kg
Stainless Steel	210 lbs	95.25 kg

Teflon® is a registered trademark of DuPont.

Performance



* For E3C pumps fitted with Teflon® diaphragms, reduce water discharge figures by 20%. Suction lift is reduced to 10' (3.05 m) dry and 20' (6.10 m) wet.

• Clamped design

provides quick
teardown
for repairs

• Non-stalling, non-icing, lube-free air valve system

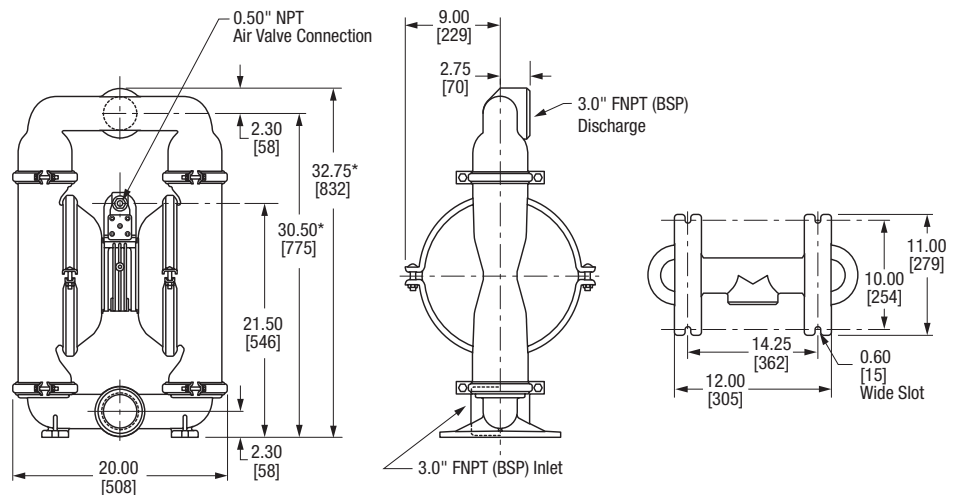


• Available in food grade stainless steel

with tri-clamp connections

• Optional screen-mount base available for aluminum model

Dimensions

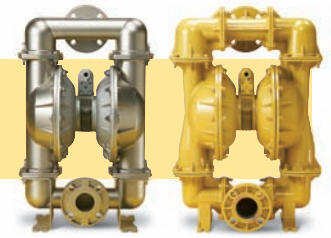


* Measurement is for Cast Iron pumps.
Other materials of construction may be slightly smaller.

inches [mm]

E3

3" Bolted Metallic Pump

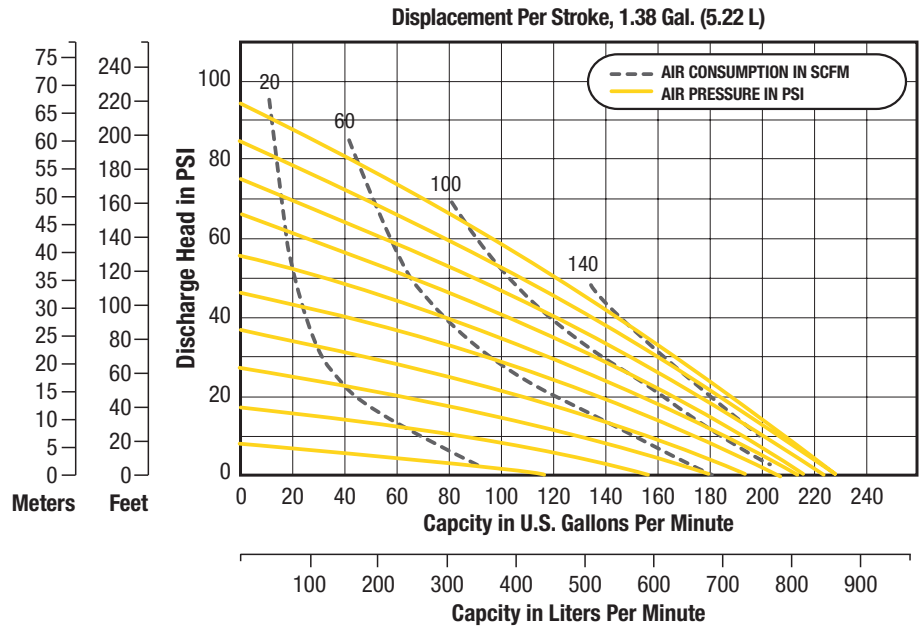


Specifications

	English	Metric
Flow rate		
adjustable to	0-230 gpm	0-871 lpm
Port size		
Inlet and Outlet	3" ANSI 150# class DIN 80 Flange	
Air inlet	0.5" NPT	
Air exhaust	1.0" NPT	
Suction lift*		
Dry (Teflon®)	20' (10')	6.10 m (3.05 m)
Wet (Teflon®)	25' (20')	7.62 m (6.10 m)
Max. particle size		
Diameter	0.75"	19.0 mm
Shipping weight		
Aluminum	150 lbs	68 kg
Hastelloy C	275 lbs	125 kg
Stainless Steel	250 lbs	113 kg

Teflon® is a registered trademark of DuPont.

Performance

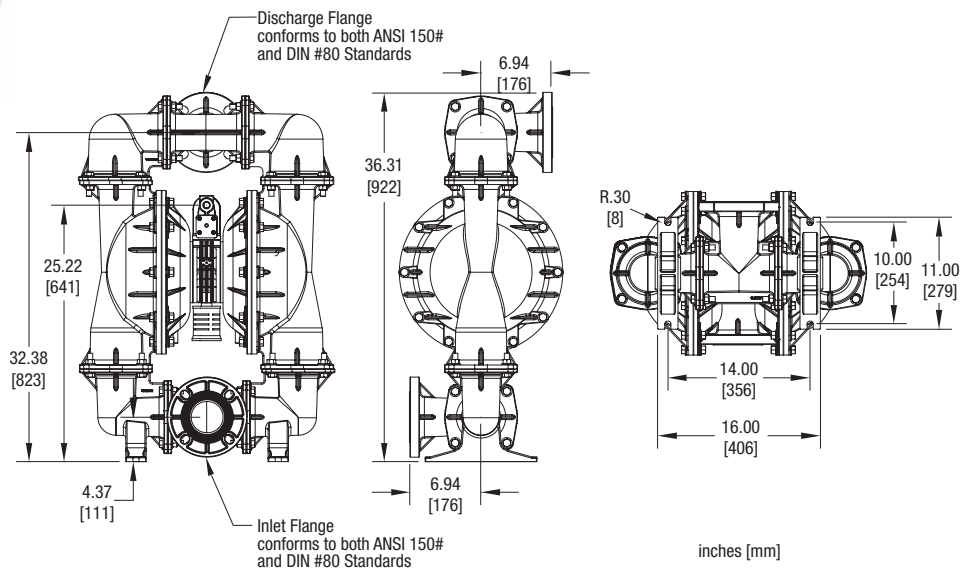


* For E3B pumps fitted with Teflon® diaphragms, reduce water discharge figures by 20%. Suction lift is reduced to 10' (3.05 m) dry and 20' (6.10 m) wet.

- **Leak-free bolted design** for a greater positive seal
- **Larger particle clearance** (3/4"/19.1 mm)
- Includes both **ANSI and DIN** flange connections
- **Non-stalling, non-icing, lube-free** air valve system



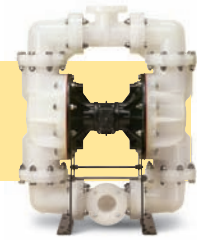
Dimensions



Note: Measurements are for aluminum pumps.

E3

3" Bolted Plastic Pump

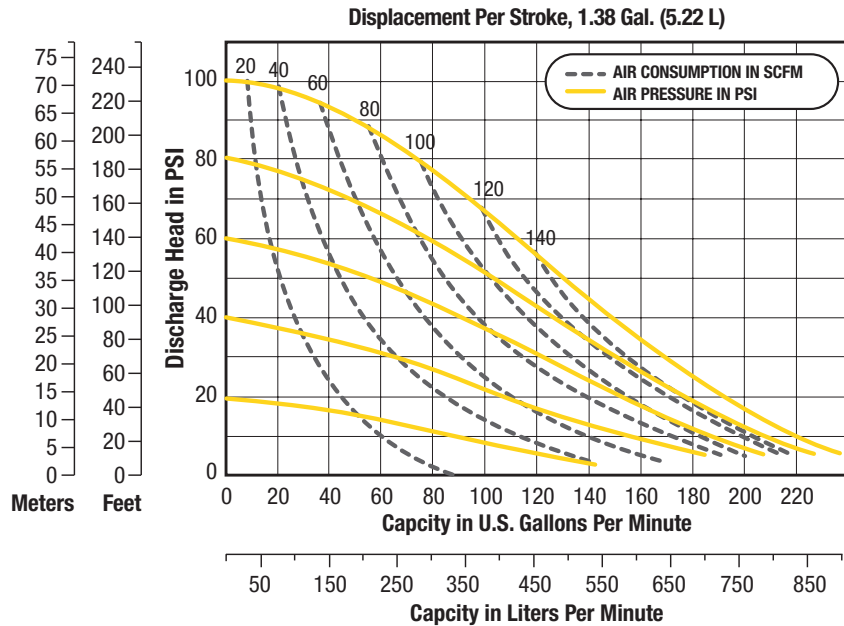


Specifications

	English	Metric
Flow rate adjustable to	0-238 gpm	0-901 lpm
Port size Inlet and Outlet	3" ANSI or DIN 80 Flange	
Air inlet	0.75" NPTF	19.05 mm
Air exhaust	1" NPTF	
Suction lift*		
Dry (Teflon®)	20' (10')	6.10 m (3.05 m)
Wet (Teflon®)	25' (20')	7.62 m (6.10 m)
Max. particle size Diameter	0.71"	18 mm
Shipping weight		
Polypropylene	231 lbs	105 kg
PVDF	315 lbs	143 kg

Teflon® is a registered trademark of DuPont.

Performance

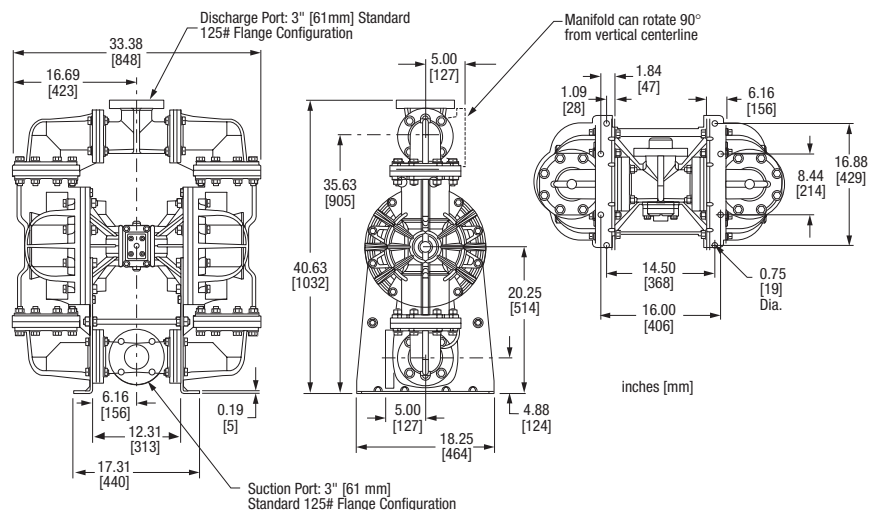


* For E3P pumps fitted with Teflon® diaphragms, reduce water discharge figures by 20%. Suction lift is reduced to 10' (3.05 m) dry and 20' (6.10 m) wet.

- **Transfers acids and caustic solutions safely**
- **Leak-free bolted design** for a greater positive seal
- **Adjustable manifolds** for horizontal or vertical system configurations
- **Epoxy-coated air section** and stand to prevent environmental attack
- **Non-stalling, non-icing, lube-free** air valve system
- **Spill containment** model available



Dimensions



Pump accessories to enhance your pump performance:

Surge Suppressors

Our surge suppressors provide virtually pulse-free discharge flow, for steadier pressure and less system vibration and noise. Self-charging and self-venting.



Versa-Sense™ Leak Detector

Protects product from contamination in the event of a diaphragm failure. Compared to competitor models, Versa-Sense has a much broader sensing range and can be used with confidence on a wider variety of mediums.



Anti-Shock Valves

Protect your pumps, pipes and diaphragms from damage during start-ups. Our Smart Start Anti-shock valves enable compressed air to gradually increase to the desired pressure over a time period of up to 30 seconds.



Filter/Regulator/Lubricators

FRLs improve pump performance and reduce maintenance costs. Used to filter particles and water out of the compressed air coming into the pump, as well as control the air pressure. Also controls lubrication amounts to optimize pump performance.



Versa-Matic offers the most extensive line of diaphragms in the industry, including:

- Versa-Rugged VR™ Diaphragms
- Versa-Dome® Diaphragms
- FDA Hytrel® Thermoplastic Diaphragms
- TPE-XL Thermoplastic Diaphragms
- Versa-Tuff® Teflon® Diaphragms



For more information about any of Versa-Matic's complete family of air-operated double diaphragm pumps, parts and accessories, contact your local authorized distributor or visit us at www.versamatic.com.

*Hytrel® and Teflon® are registered trademarks of DuPont.
Kynar® is a registered trademark of Penwalt Corp.
Wilden® is a registered trade name of Wilden Pump and Engineering Company, a Dover Resources Company.*

Elima-Matic®, Versa-Dome®, Versa-Matic®, Versa-Tuff® and Versa-Rugged VR™ are registered tradenames and trademarks of IDEX Corporation.



VERSA-MATIC® PUMP COMPANY

A Unit of IDEX Corporation
6017 Enterprise Drive
Export, PA 15632-8969

(724) 327-7867

Fax: (724) 327-4300

www.versamatic.com



©2006 IDEX Corporation



VME3-0406-1