

E3 3" Plastic Bolted Pumps Specifications and Performance

SPECIFICATIONS

E3

FLOW RATE (Adjustable) 0-238 gpm (901 lpm)
PORT SIZE

Inlet and Outlet..... 3.0" ANSI or DIN 80 Flange

AIR INLET 0.75" NPTF

AIR EXHAUST 1.00" NPTF

SUCTION LIFT 20' Dry/25' Wet (6.10m/7.62m)

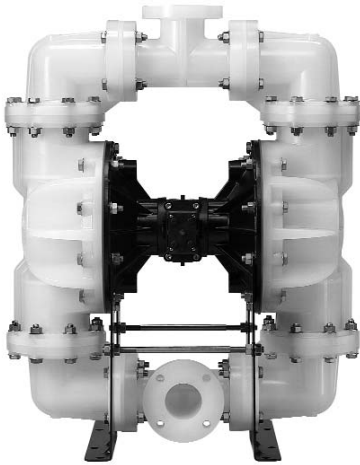
Teflon®..... 10' Dry/20' Wet (3.05m/6.10m)

MAX. PARTICLE SIZE (Dia.) 0.71" (18mm)

SHIPPING WEIGHTS

Polypropylene 231 lbs (105 kg)

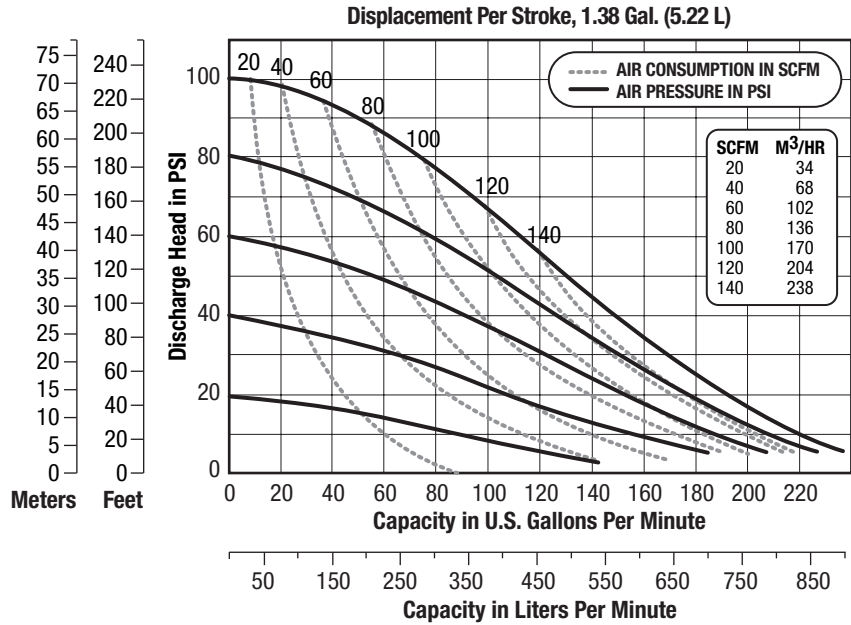
PVDF 315 lbs (143 kg)



PERFORMANCE

Determined by actual flow meter tests.

E3



CAUTION: Do not exceed 125 psig (8.5 bars) air supply or liquid pressure.

CAUTION: Plastic pumps and components are not UV stabilized. Ultraviolet radiation can damage these parts and negatively affect material properties. Do not expose to UV light for extended periods of time.

DIMENSIONS

Consult factory for certified drawings.

E3

