

E2 2" Food Processing Pump Specifications and Performance

SPECIFICATIONS E2FDA

FLOW RATE (Adjustable) 0-155 gpm (586 lpm)

PORT SIZE

Inlet and Outlet 2.5" Tri-Clamp

AIR INLET 0.50" NPT

AIR EXHAUST 0.75" NPT

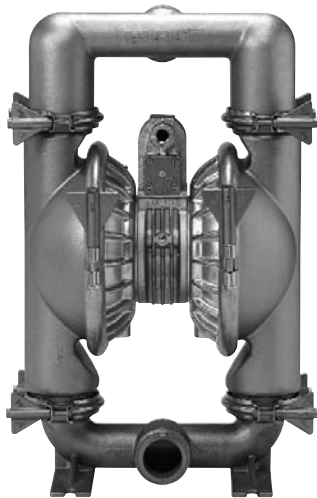
SUCTION LIFT 20' Dry/25' Wet (6.10m/7.62m)

Teflon® 10' Dry/20' Wet (3.05m/6.10m)

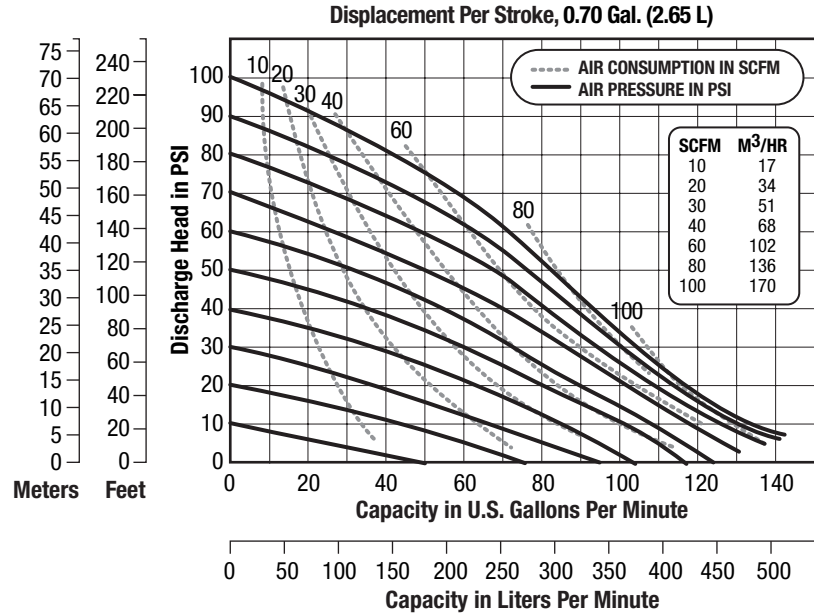
MAX. PARTICLE SIZE (Dia.) 0.25" (6.35mm)

SHIPPING WEIGHT

Stainless Steel 115 lbs (52.16 kg)



PERFORMANCE Determined by actual flow meter tests. E2FDA



NOTE: For E2 pumps fitted with Teflon® diaphragms, reduce water discharge figures by 20%. Suction lift is reduced to 10' (3.05m) dry and 20' (6.10m) wet.

CAUTION: Do not exceed 125 psig (8.5 bars) air supply or liquid pressure.

DIMENSIONS Consult factory for certified drawings. E2FDA

