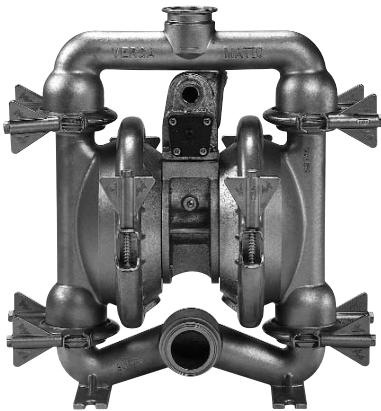


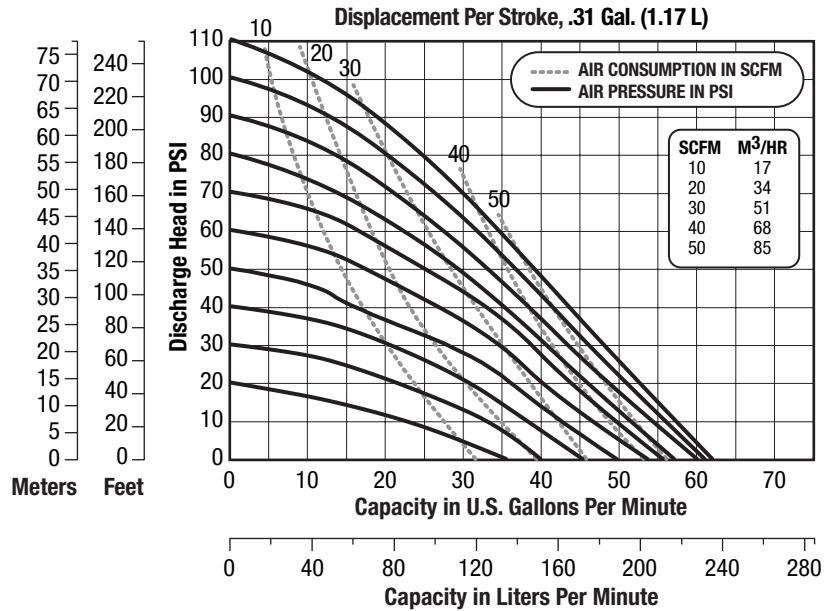
E4 1-1/4" Food Processing Pump Specifications and Performance

SPECIFICATIONS E4FDA

FLOW RATE (Adjustable)... 0-70 gpm (0-265 lpm)
PORT SIZE
 Inlet and Outlet 2" Tri-Clamp
AIR INLET 0.50" NPT
AIR EXHAUST 0.75" NPT
SUCTION LIFT.... 15' Dry/25' Wet (4.57m/7.62m)
 Teflon®..... 10' Dry/20' Wet (3.05m/6.09m)
MAX. PARTICLE SIZE (Dia.) 0.1875" (4.76mm)
SHIPPING WEIGHT
 Stainless Steel 57 lbs (25.85 kg)



PERFORMANCE Determined by actual flow meter tests. E4FDA



NOTE: For E4 pumps fitted with Teflon® diaphragms, reduce water discharge figures by 20%. Suction lift is reduced to 10' (3.05m) dry and 20' (6.10m) wet.

CAUTION: Do not exceed 125 psig (8.5 bars) air supply or liquid pressure.

DIMENSIONS Consult factory for certified drawings. E4FDA

