

# Ultra-Matic® 2" Bolted Aluminum Pump

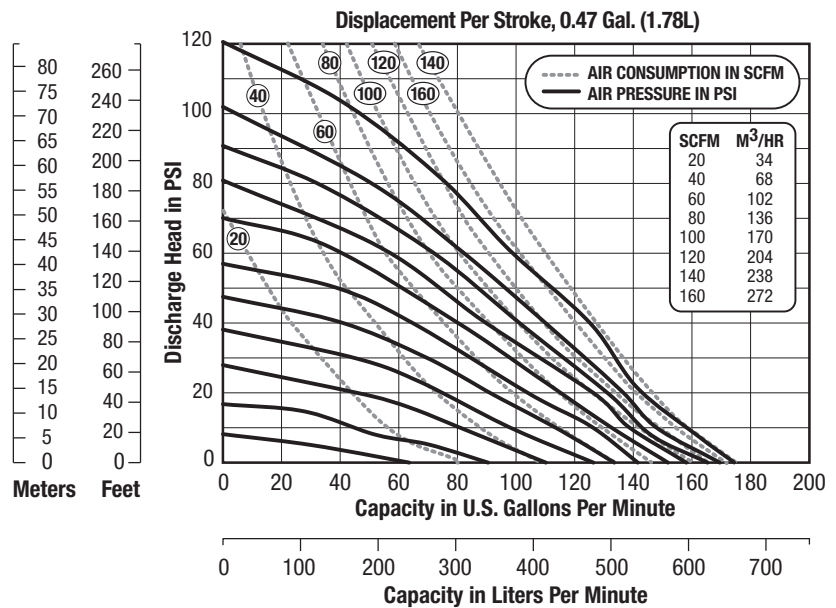
# U2

## Specifications

	English	Metric
<b>Flow rate</b>		
adjustable to	0-175 gpm	0-662 lpm
<b>Port size</b>		
Inlet and Outlet	2" Female NPT (BSP)	
<b>Air inlet</b>	0.50" NPTF	
<b>Air exhaust</b>	0.75" NPTF	
<b>Suction lift* (dry)</b>		
Rubber	20'	6.10 m
PTFE	10'	3.05 m
<b>Max. particle size</b>		
Diameter	0.43"	11 mm
<b>Shipping weight</b>		
Aluminum	75 lbs	34 kg



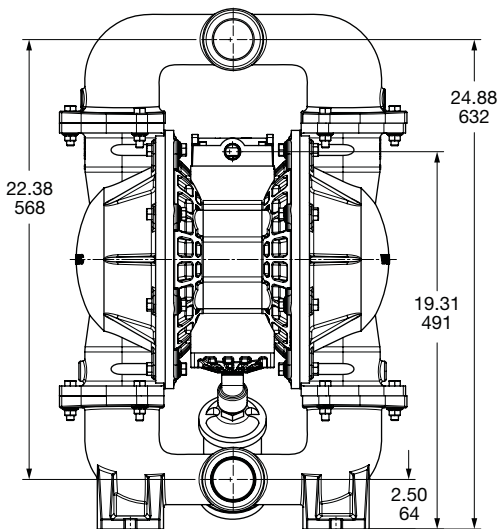
## Performance



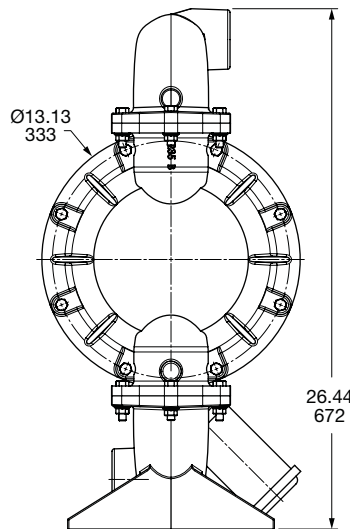
**NOTE:** For U2 pumps fitted with PTFE diaphragms, reduce water discharge figures by 20%. Suction lift is reduced to 10' (3.05m) dry and 20' (6.10m) wet.

**CAUTION:** Do not exceed 125 psig (8.5 bars) air supply or liquid pressure.

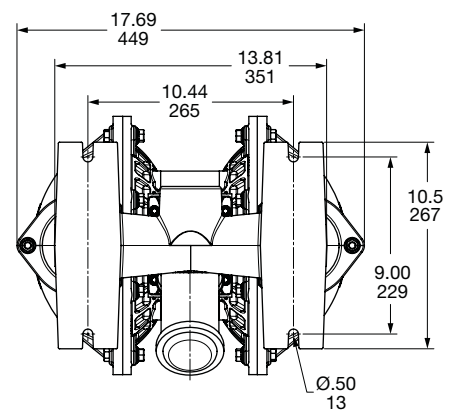
## Dimensions



FRONT VIEW



SIDE VIEW



Inches [mm]

BOTTOM VIEW

Consult factory for certified drawings.