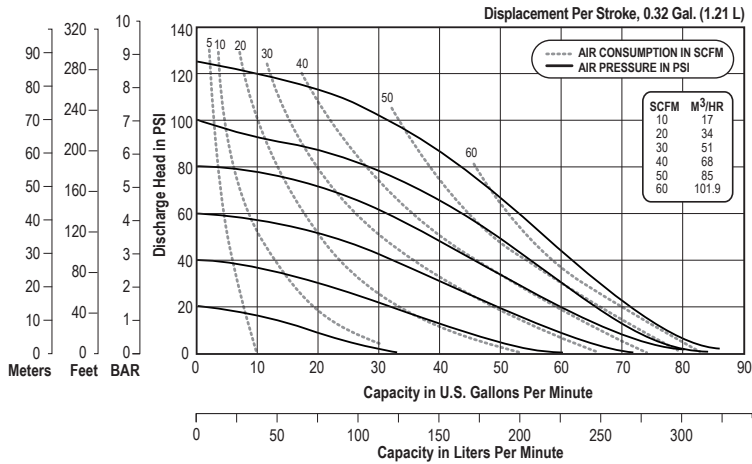


E4 DATA SHEET

SPECIFICATIONS & PERFORMANCE

1 1/2" Sanitary
with Metal Center Section

PERFORMANCE



NOTE: Performance based on the following: elastomeric fitted pump, flooded suction, water at ambient conditions. The use of other materials and varying hydraulic conditions may result in deviations in excess of 5%.

SPECIFICATIONS

Flow Rate

Adjustable to 0-86 gpm (325.5 lpm)

Port Size

Suction 1 1/2" Tri-Clamp

Discharge 1 1/2" Tri-Clamp

Air Inlet 1/2" NPT

Air Exhaust 3/4" NPT

Suction Lift

Dry 15' (4.57 m)

Wet 25' (7.62 m)

Max Solid Size (Diameter)

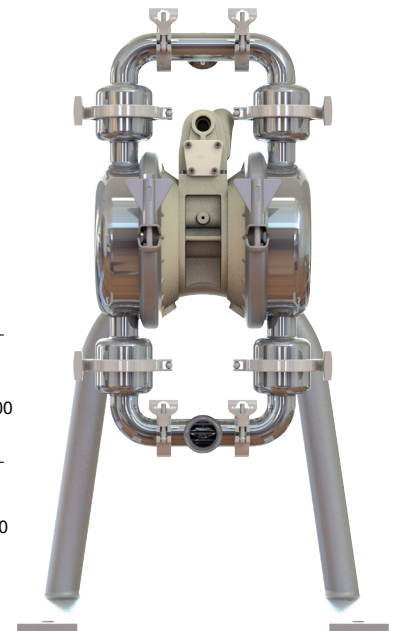
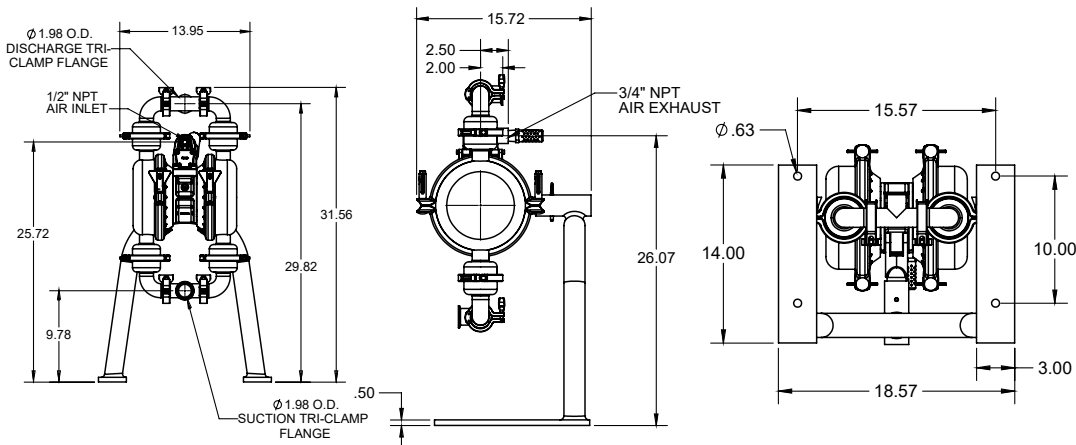
. 3/8" (9.5 mm)

Max Noise Level 101 dB(A)

Shipping Weights

Stainless Steel 75 lbs (34 kg)

DIMENSIONS



VERSAMATIC[®]

Warren Rupp, Inc. | A Unit of IDEX Corporation
800 North Main Street | Mansfield, OH 44902 USA
Phone: 419.526.7296 | Fax: 419.526.7289

VERSAMATIC.COM

e4mdlAdsATEXS-rev0519

©Copyright 2019 Warren Rupp, Inc. All Rights Reserved.